



Window World, Inc.
 2620 Waiwai Loop
 Honolulu, Hawaii 96819
 Website: www.windowworldhi.com

800-851-7771 Toll Free
 808-834-1114 Phone
 808-834-4442 Fax
 Email: info@windowworldhi.com

MADE IN



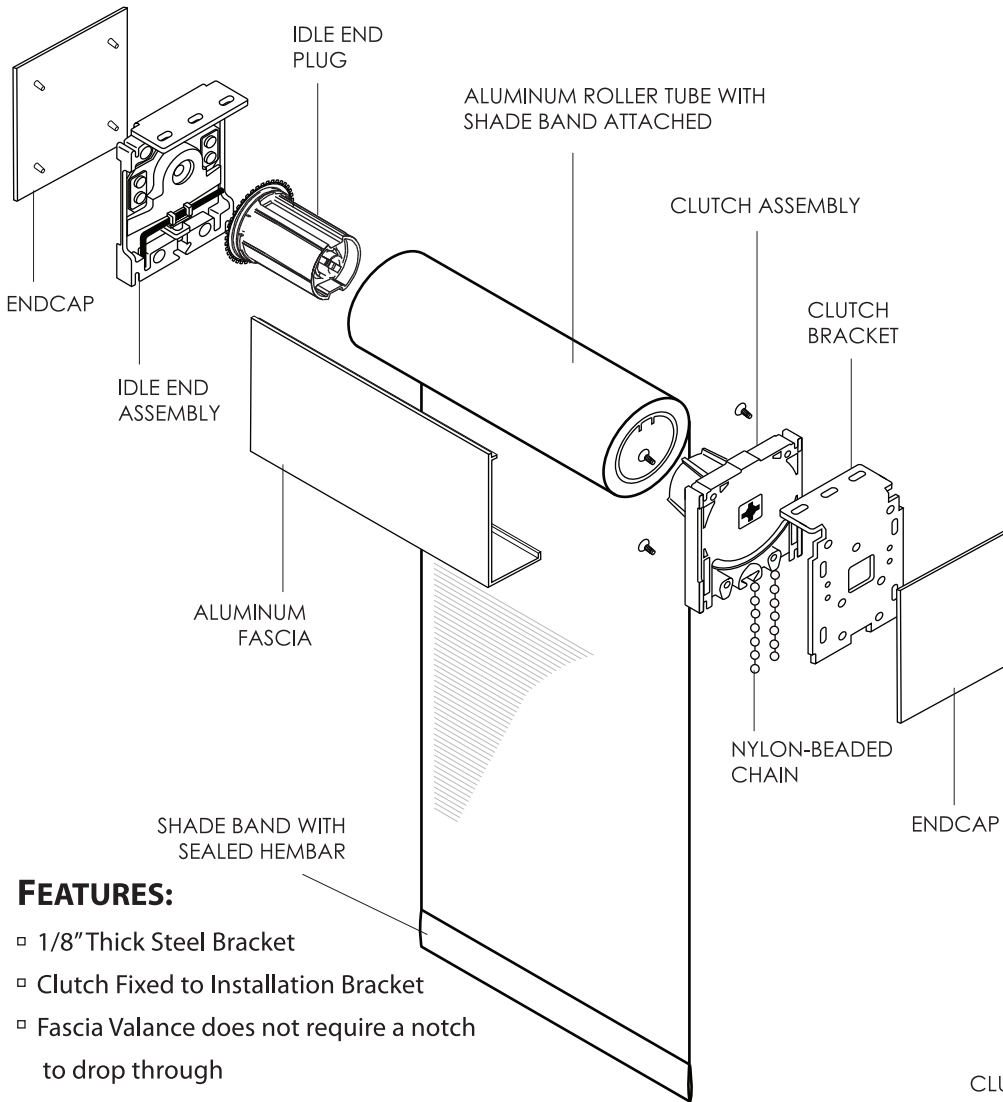
HAWAII

Manufacturers and Wholesale Only • Custom Window Coverings

Data Sheet

ALI'I SERIES CLUTCH ROLLER SHADE

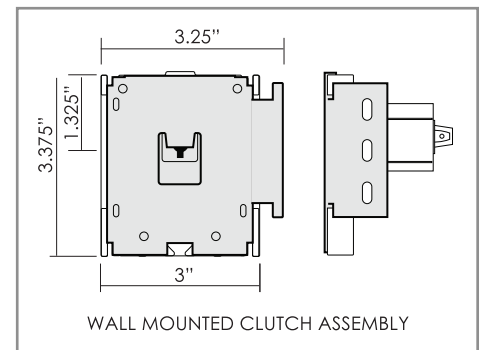
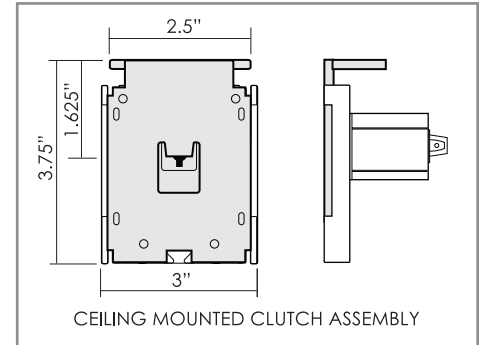
The heavy-duty commercial chain operated clutch mechanism allows precise positioning of the roller shade. When the operator stops pulling on the bead chain, the clutch stops automatically, holding the shade in the exact position desired. The bi-directional clutch never needs adjustment.



FEATURES:

- 1/8" Thick Steel Bracket
- Clutch Fixed to Installation Bracket
- Fascia Valance does not require a notch to drop through
- #10 Qualified Stainless Steel Bead Chain may be offset
- Idler End Bracket has a height-leveling adjustment
- Idler End Bracket has a ball bearing idler for quiet and ultra-smooth rotation
- Idler End Bracket available as wall or ceiling mount
- Idler End Cap is spring-loaded and retractable for simple and easy installation
- Manufactured from PA6/glass fiber
- Limited Lifetime Warranty

COMPONENT DIMENSIONS



BRACKET DETAIL

