



Window World, Inc.
 2620 Waiwai Loop
 Honolulu, Hawaii 96819
 Website: www.windowworldhi.com

800-851-7771 Toll Free
 808-834-1114 Phone
 808-834-4442 Fax
 Email: info@windowworldhi.com

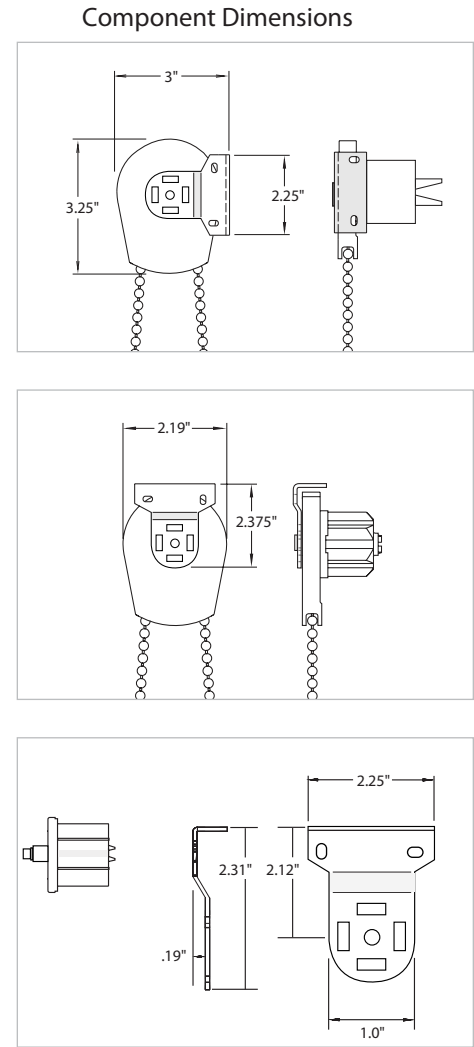
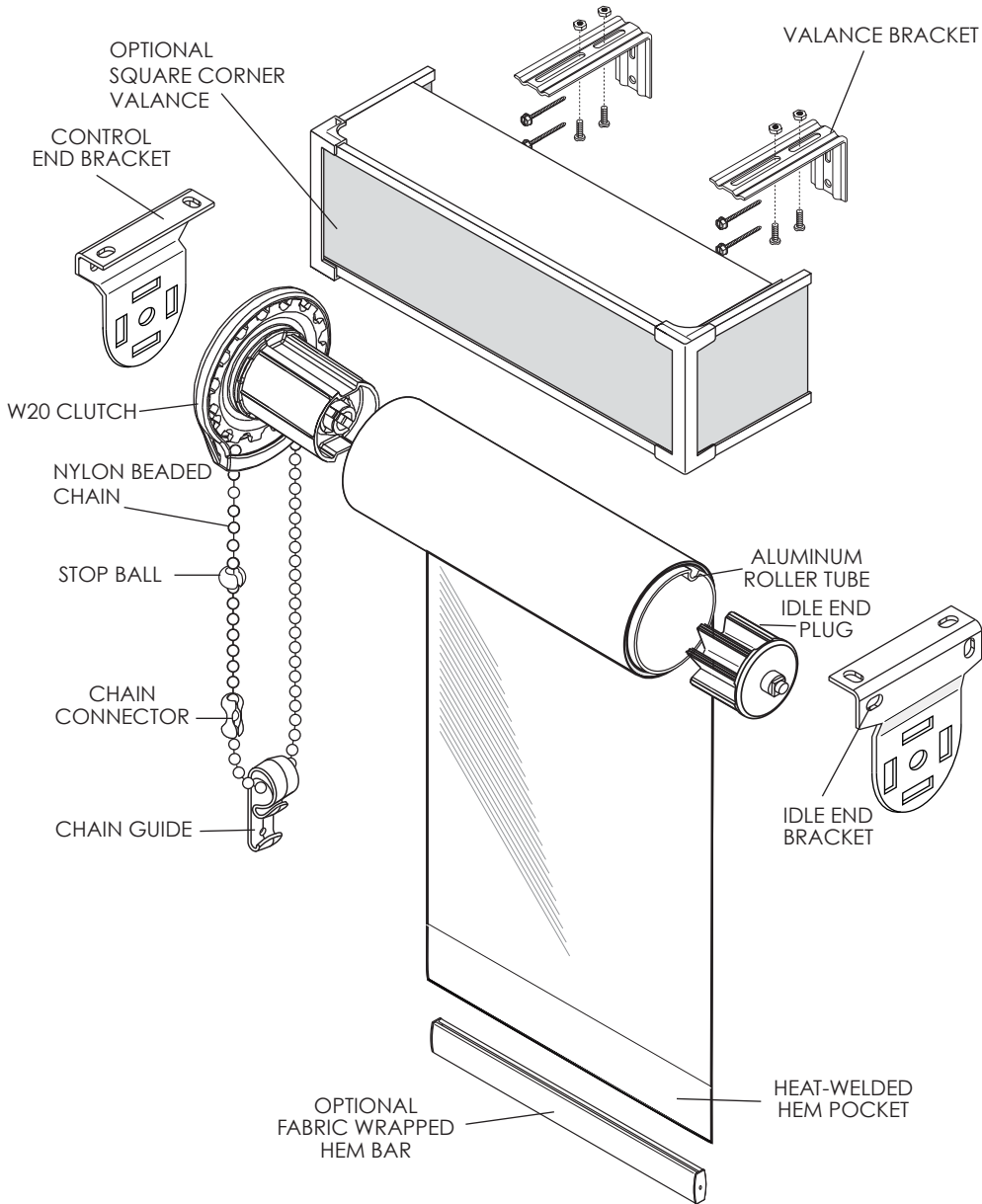
MADE IN



HAWAII

Manufacturers and Wholesale Only • Custom Window Coverings

Data Sheet **ROLLER SHADE - W20 MANUAL SHADE**



W20 clutch system is designed to lift shades weighing up to twenty pounds with special noise reduction and ease of operation.

Shades are raised and lowered by means of a nylon bead chain.

Roller tube is extruded aluminum engineered at 1 -1/2" diameter (minimum) to 2 -1/2" diameter, depending on width and weight for minimal deflection.

The hem bar will be extruded aluminum and completely enclosed in a heat-welded hem pocket.

Edge gap is 5/8" on the clutch end and 5/8" on the idler end.

Optional lift assist reduces pull force allowing easy lifting of larger shades.

Lifetime Limited Warranty.